



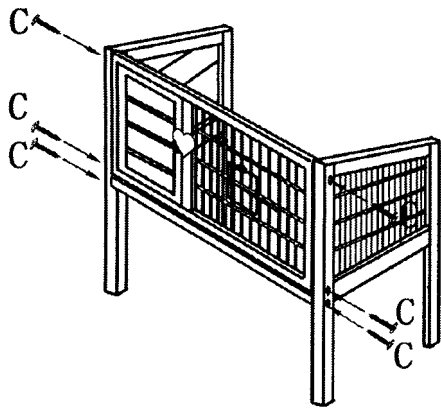
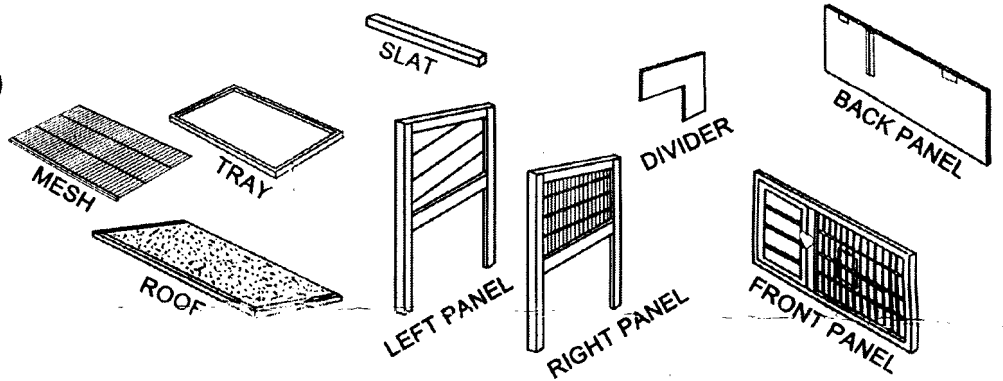


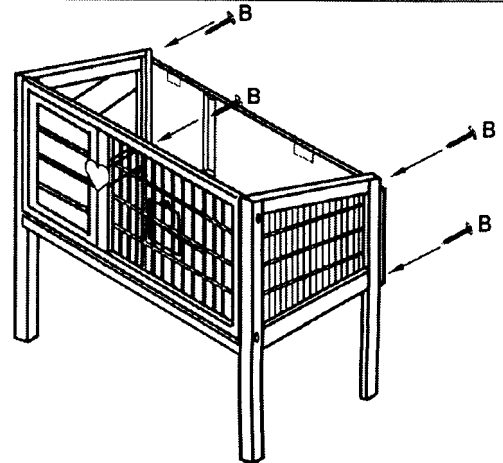
ASSEMBLY INSTRUCTION

21800A

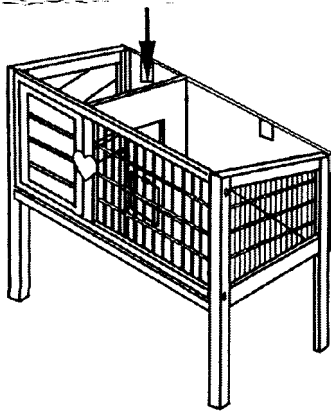
- A  3.0 x 16 mm (10pcs)
- B  3.5 x 30 mm (4pcs)
- C  3.5 x 40 mm (6pcs)
-  (1pc)



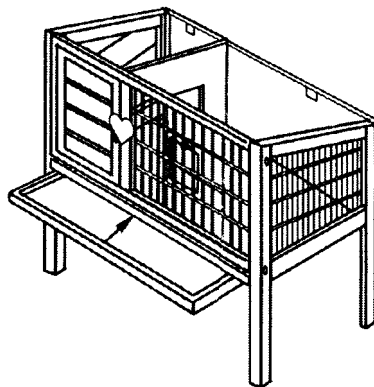
Step:1 FIX FRONT PANEL&SLAT WITH SIDE PANEL FIRSTLY



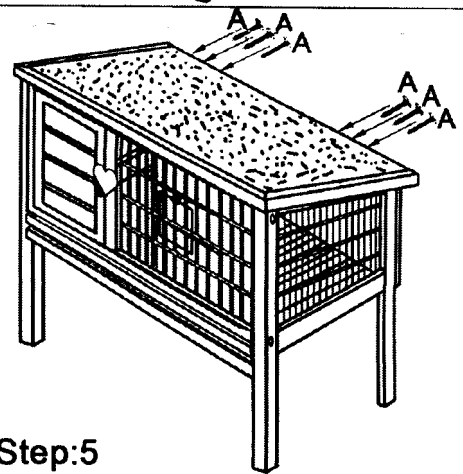
Step:2



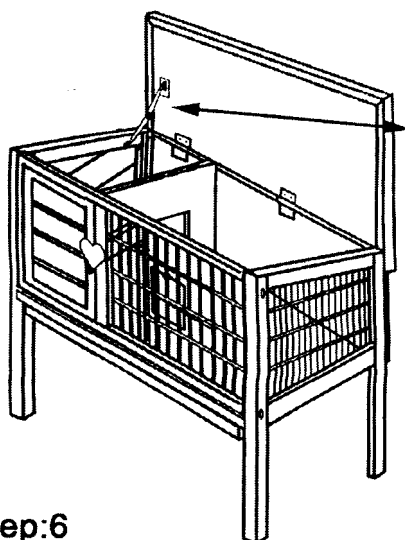
Step:3



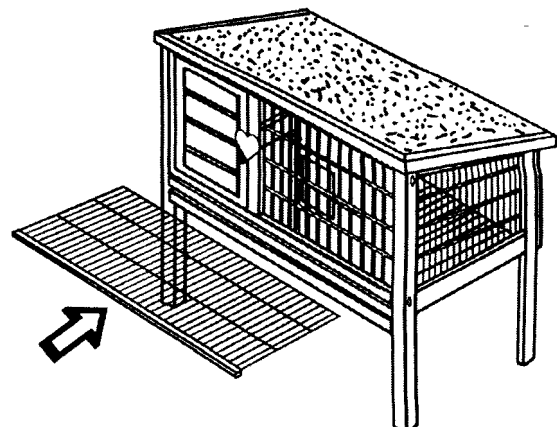
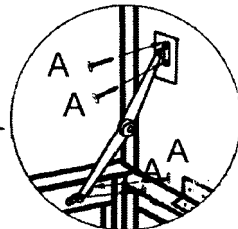
Step:4



Step:5



Step:6



Step:7