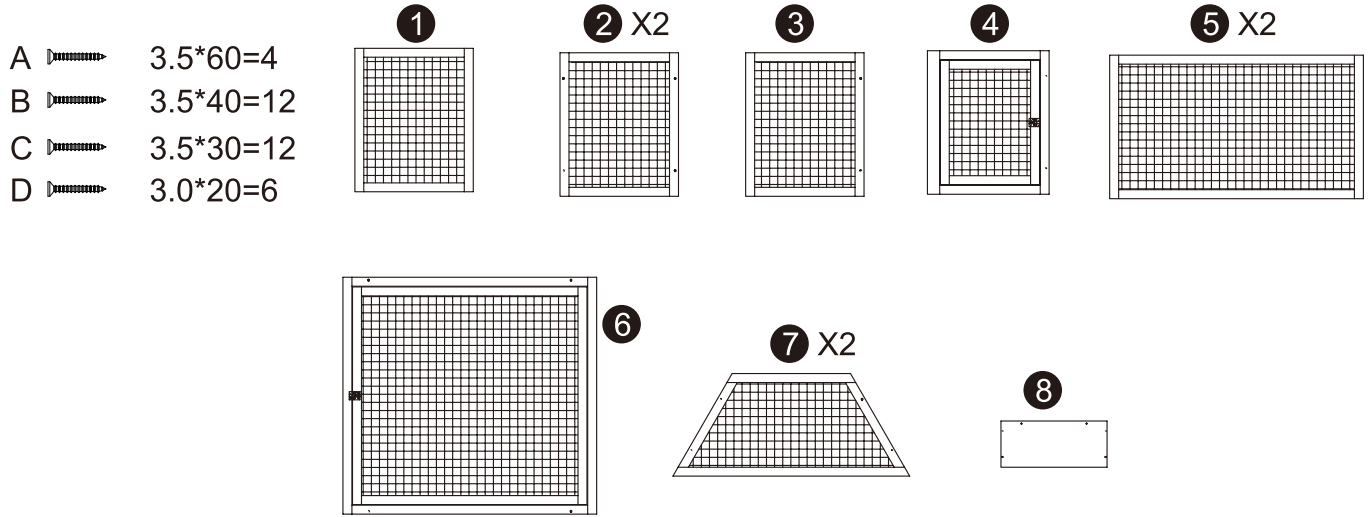
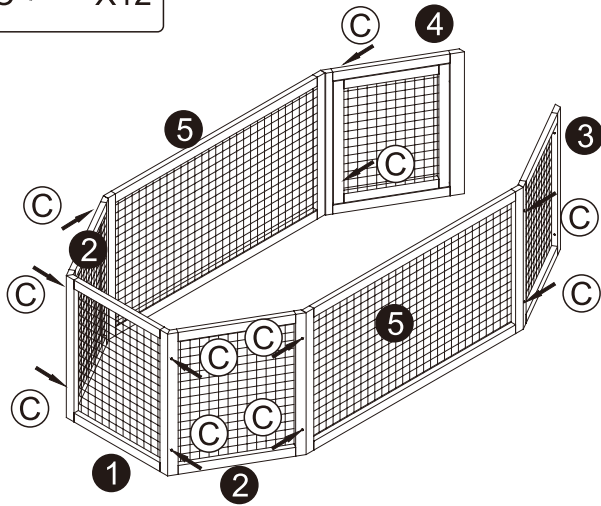



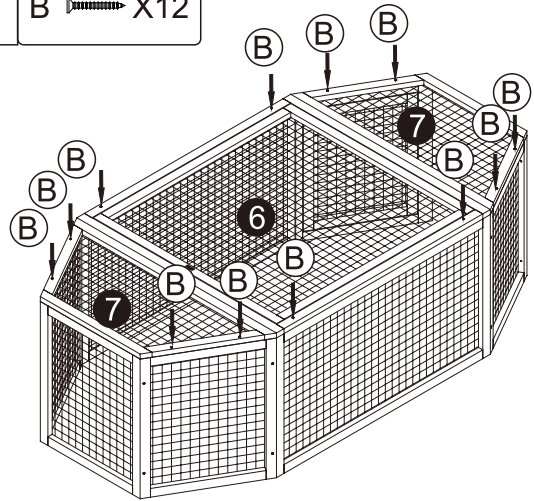
ASSEMBLY INSTRUCTION




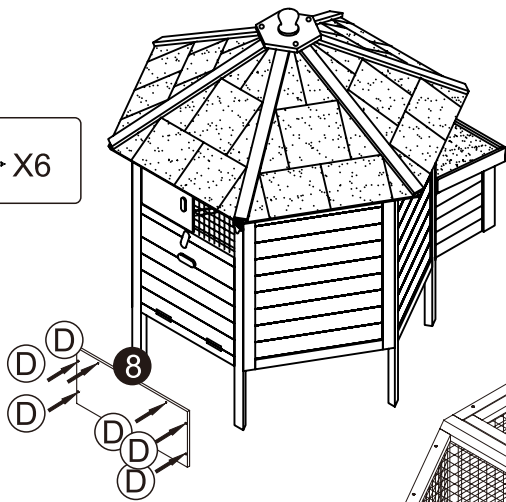
**1**  X12




**2**  X12



**3**  
 X6



**4**  
 X4

