

A

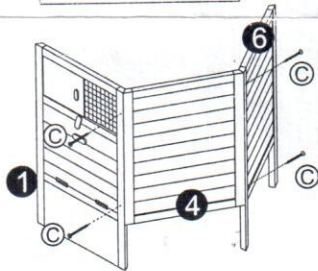
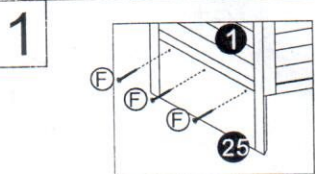
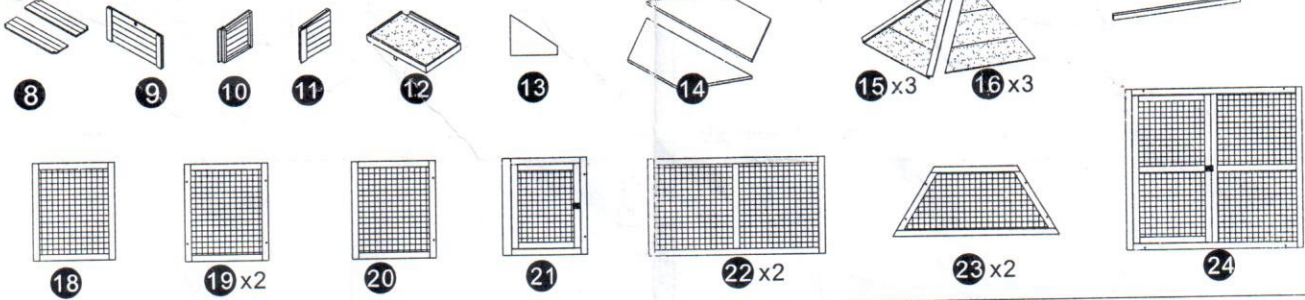
ADVANTEK

THE TOWER w/RUN (LARGE)  
CHICKEN COOP

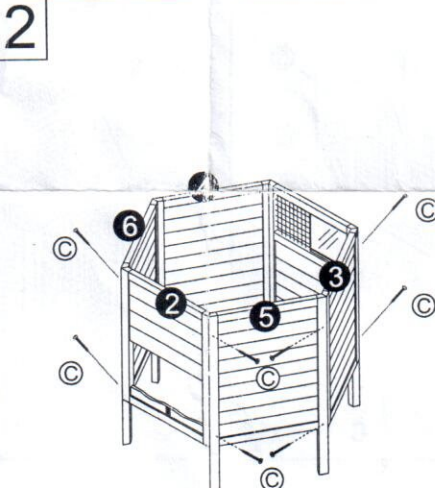
ITEM: #21943AC

# Assembly Instruction

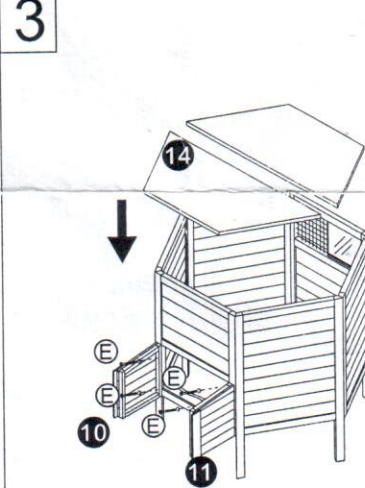
- A 3.5×60=4
- B 3.5×40=12
- C 3.5×35=24
- D 3.0×25=21
- E M6×55=8
- F 3.0×20=3
- G = 1



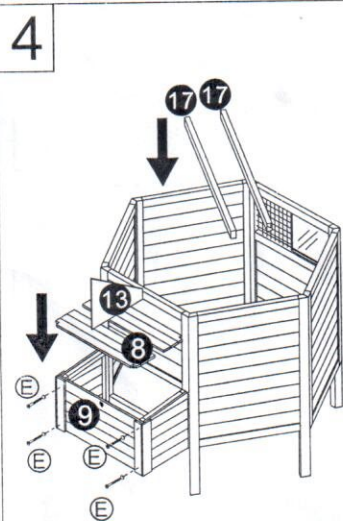
F x3  
C x4



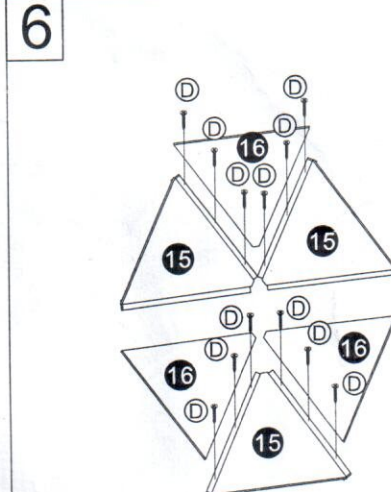
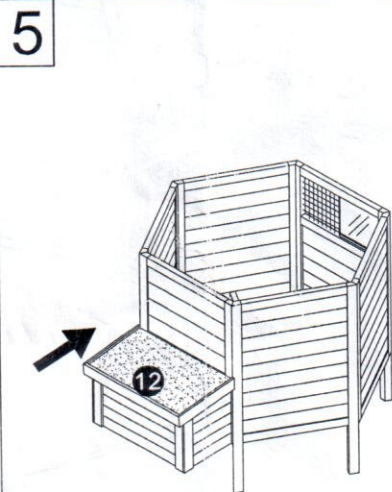
C x8



E x4

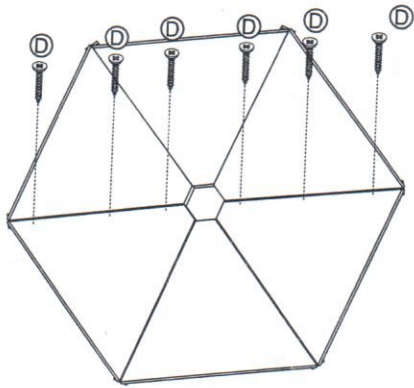


E x4



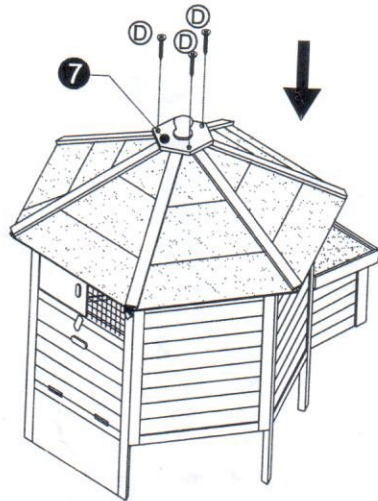
D x12

7



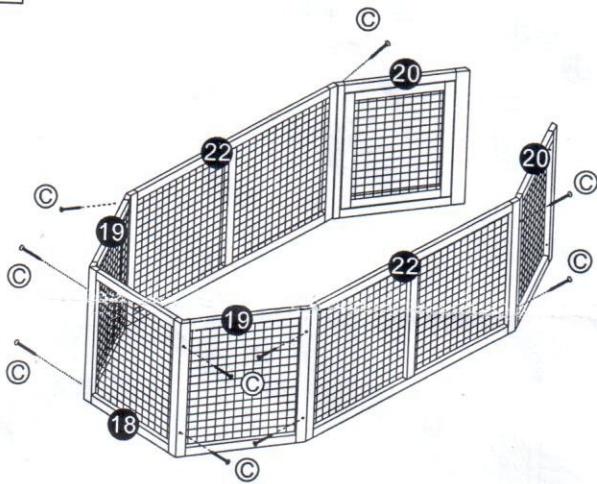
D → x6

8



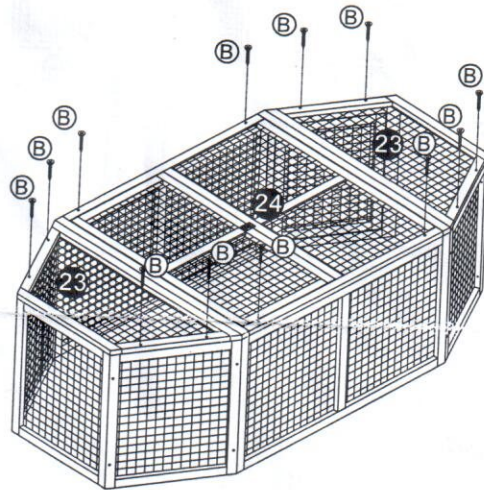
D → x3

9



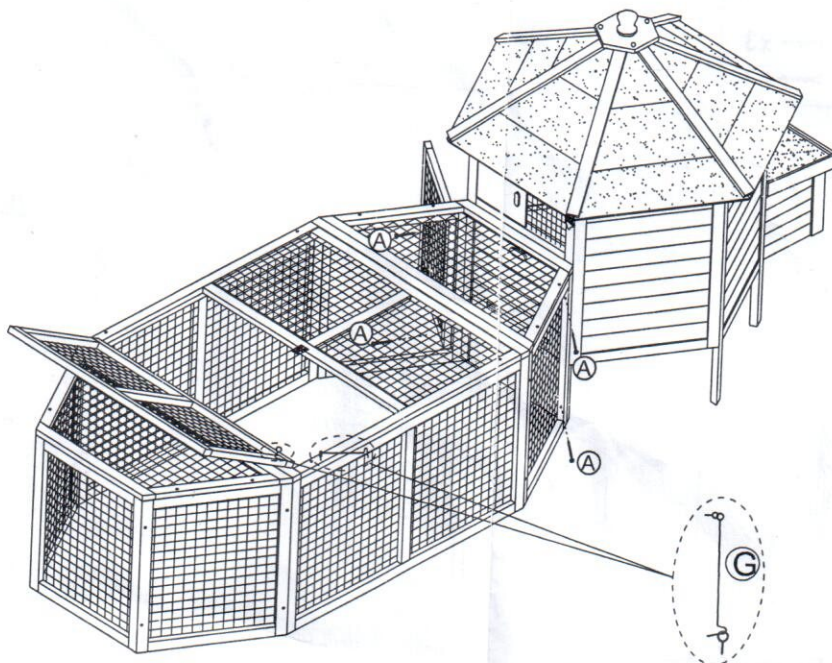
C → x12

10



B → x12

11



G → x1

A → x4