

**A**

ADVANTEK

# Assembly Instruction

## THE TOWN HOUSE (LARGE)

CHICKEN COOP

ITEM: #21945AC

P1



A 3.5X60 27+2pcs

B 3.5X35 34+2pcs

C 3.5X25 22+2pcs

D 3x16 6+2pcs



①



②



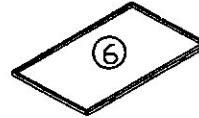
③



④



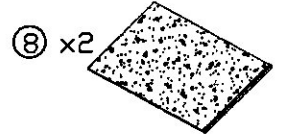
⑤



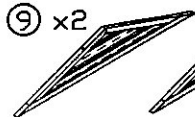
⑥



⑦ x2



⑧ x2



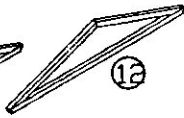
⑨ x2



⑩



⑪



⑫



⑬-1



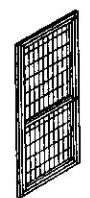
⑬-2



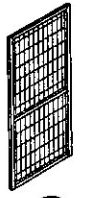
⑭-1



⑭-2



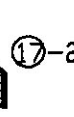
⑮



⑯



⑰-1



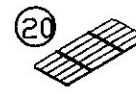
⑰-2



⑱



⑲



⑳

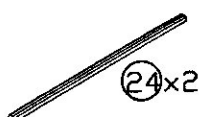
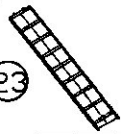


㉑



㉒ x2

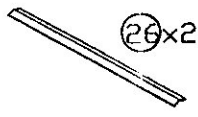
㉓



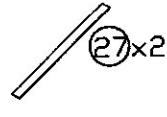
㉔ x2



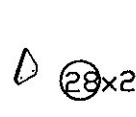
㉕



㉖ x2



㉗ x2

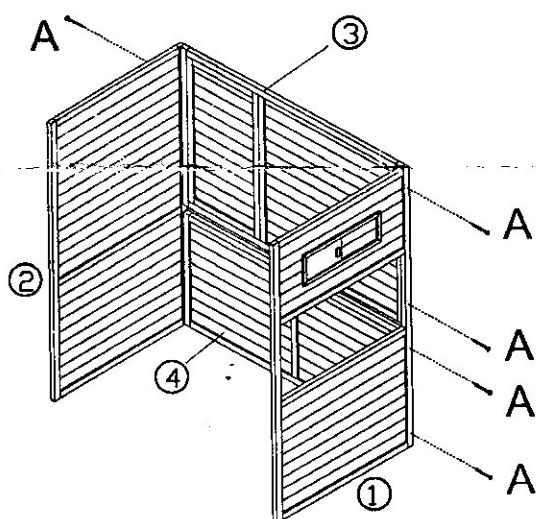


㉘ x2



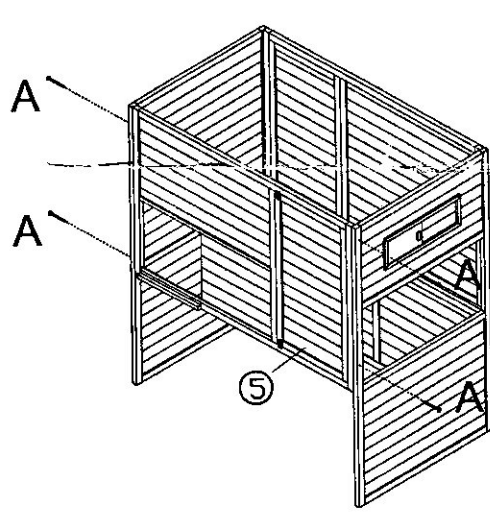
㉙ x2

1



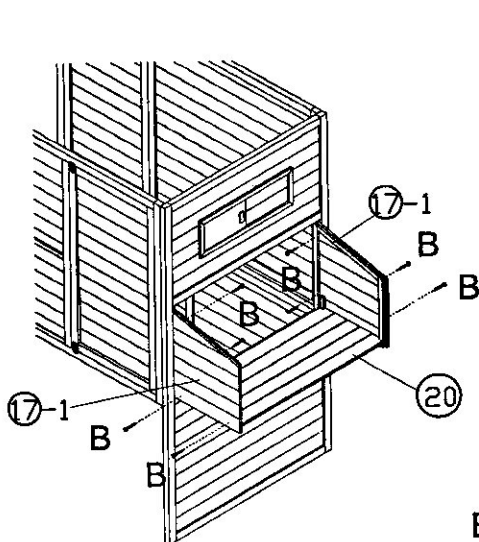
A = 8PCS

2



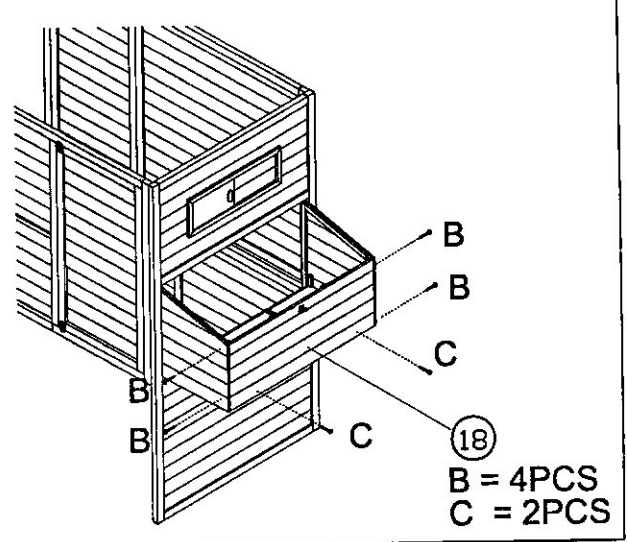
A = 4PCS

3



B = 8PCS

4



B = 4PCS  
C = 2PCS



