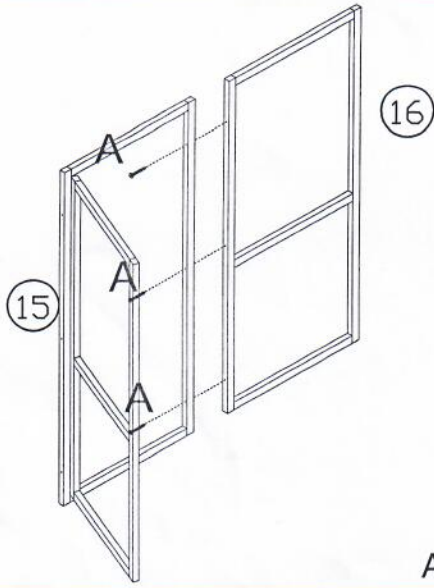


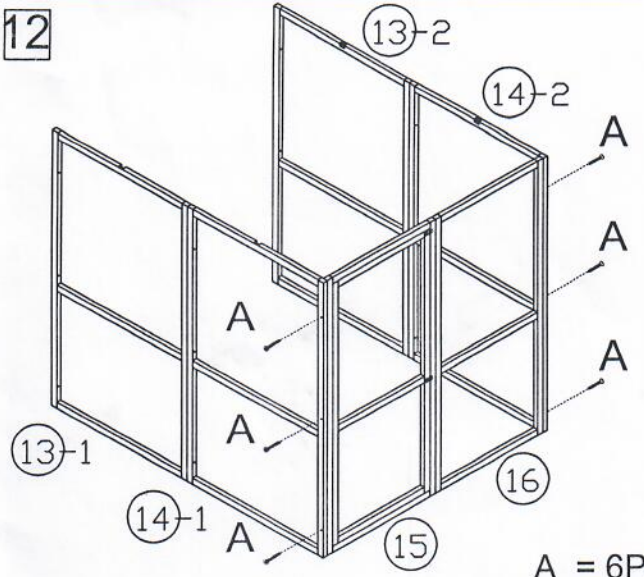


11



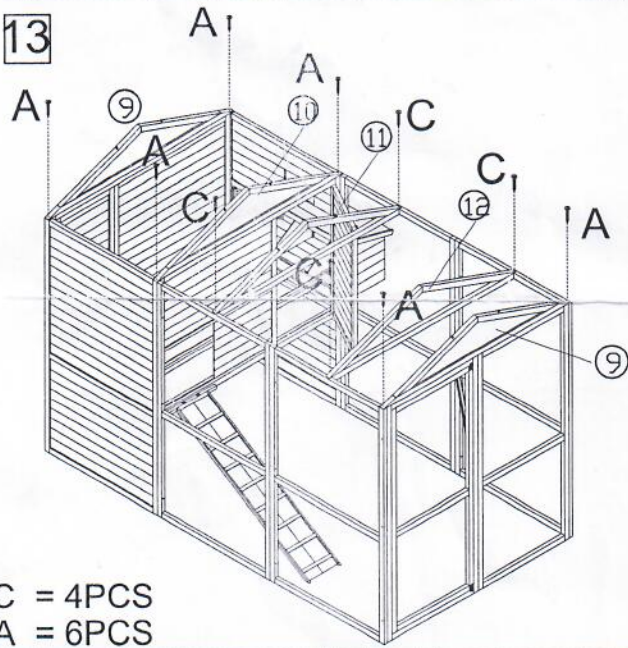
A = 3PCS

12



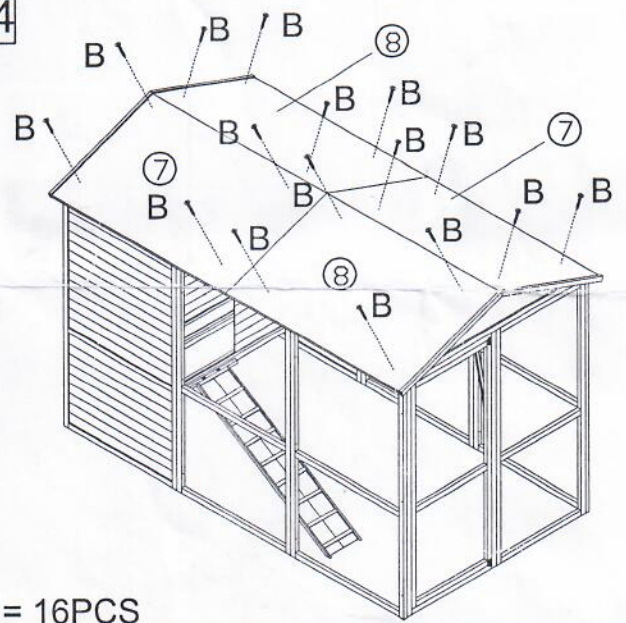
A = 6PCS

13



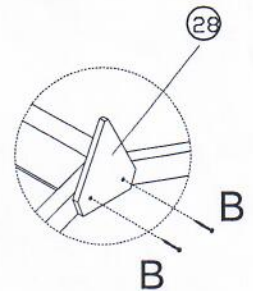
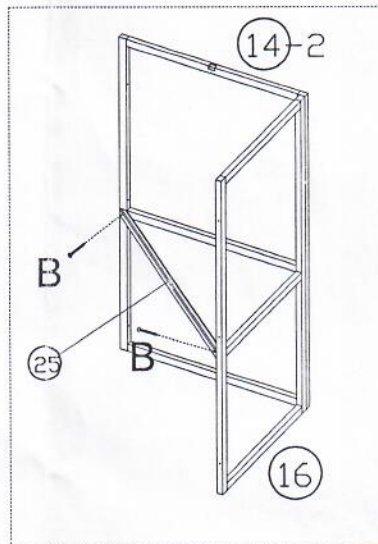
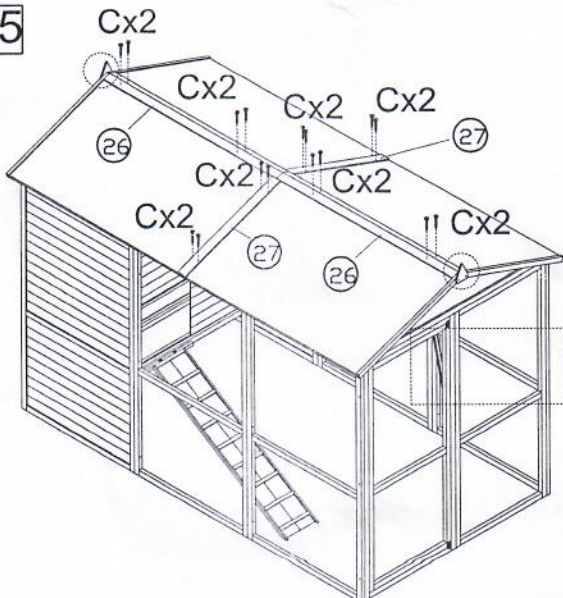
C = 4PCS  
A = 6PCS

14



B = 16PCS

15



C = 16PCS  
B = 6PCS