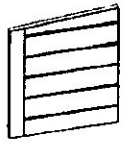
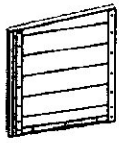


Assembly Instructions

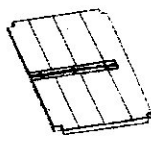
nesting box:



front panel
①



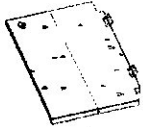
back panel
②



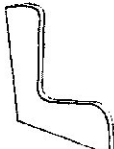
floor
③



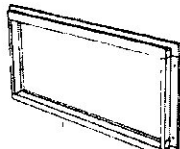
left panel
④



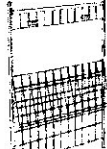
roof
⑤



partition
⑥



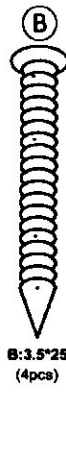
⑦



⑧



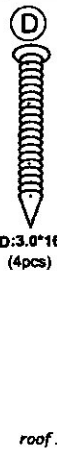
A: M6*55
(4 pcs)



B: 3.5*25
(4 pcs)



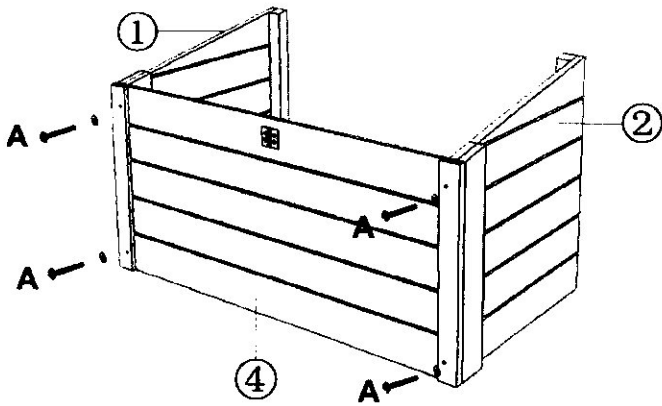
C: 3.0*12
(6 pcs)



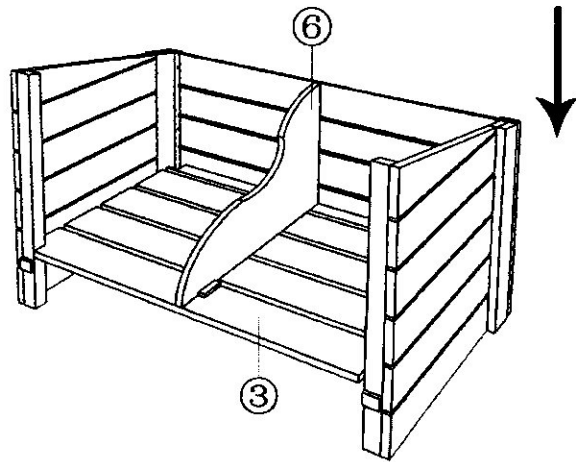
D: 3.0*16
(4 pcs)



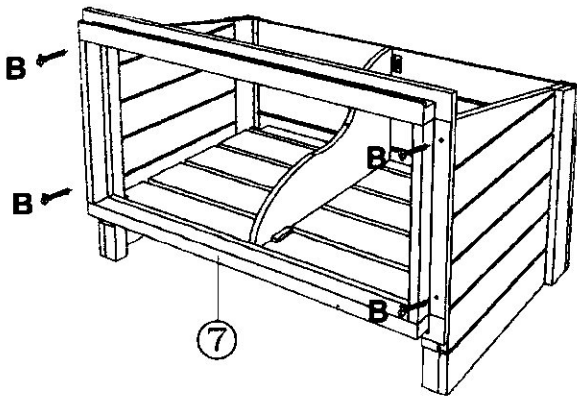
roof support (1 pc)



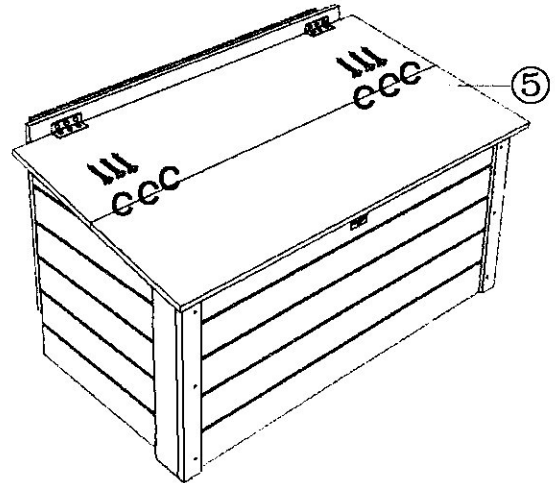
STEP 1



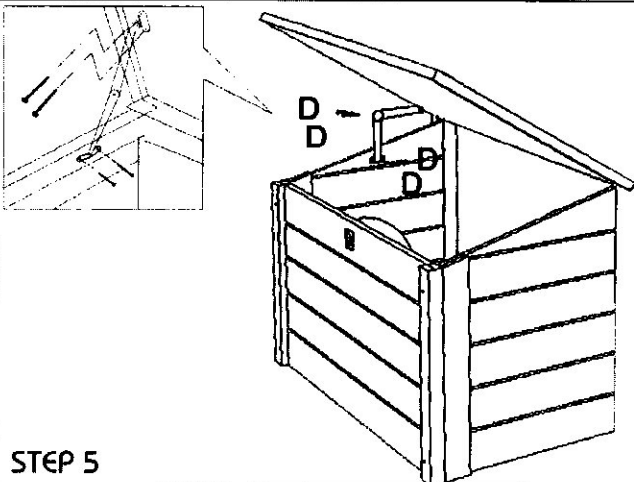
STEP 2



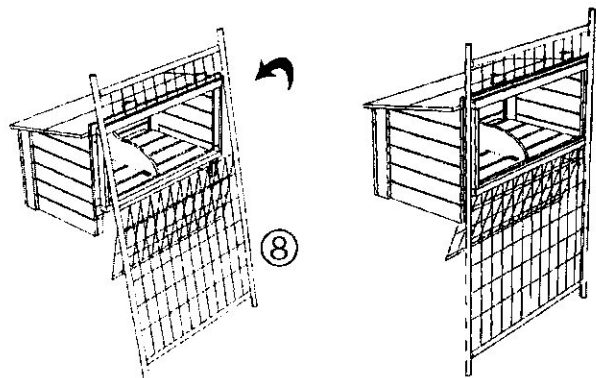
STEP 3



STEP 4



STEP 5



STEP 6